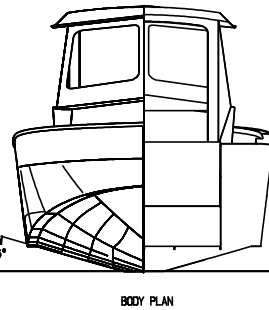
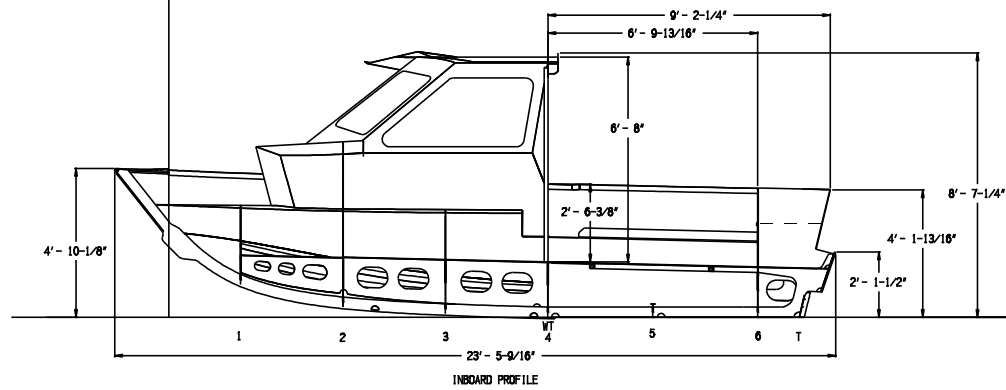
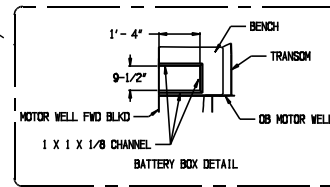



FISH HOLD AND FUEL TANK DETAIL



REV. B, 5/4/05, INCREASED WIDTH OF FUEL TANK HATCH
 FROM 2'-3 1/2" TO 2'-3 3/4"
 SEE FISH HOLD AND FUEL TANK DETAIL

3/8/05

SPECIALTY MARINE PO Box 1081, Seaboard, DE 12508		
		
23 X 8 SPORTFISHER PLAN, PROFILE, AND BODY PLAN		
SIZE: FISH NO.	ENG. NO.: 1009	VIEWS: 1
SCALE: 1/2" = 1'-0"		SHEET: 9

PROFIT
 I AM NOT RESPONSIBLE FOR ANY DAMAGE TO YOUR PROPERTY OR PERSONS OR ANY LOSS OF PROFITS OR BUSINESS, OR FOR ANY COSTS OF DEFENSE, ATTORNEY'S FEES, OR COURT COSTS, OR FOR ANY OTHER DAMAGES, INCLUDING REASONABLE ATTORNEY'S FEES, WHICH MAY BE INCURRED BY YOU AS A RESULT OF MY NEGLIGENCE OR WILLFUL MISFEASANCE.