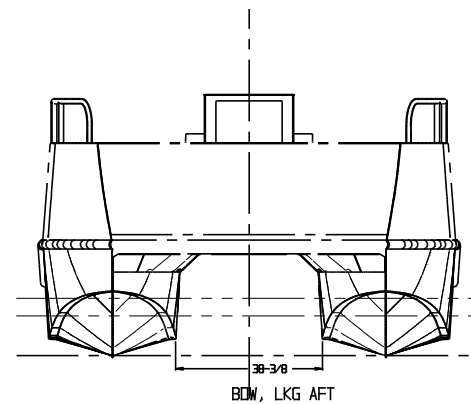
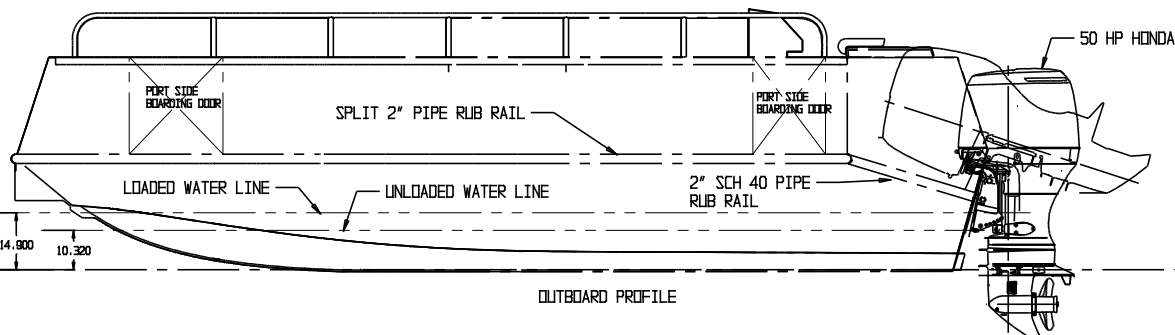


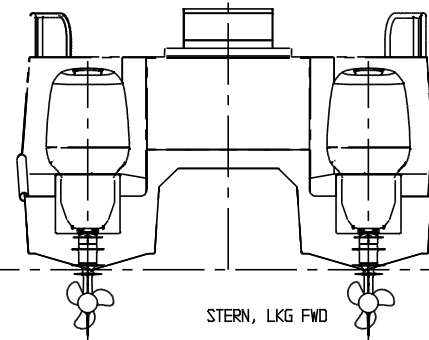
PLAN



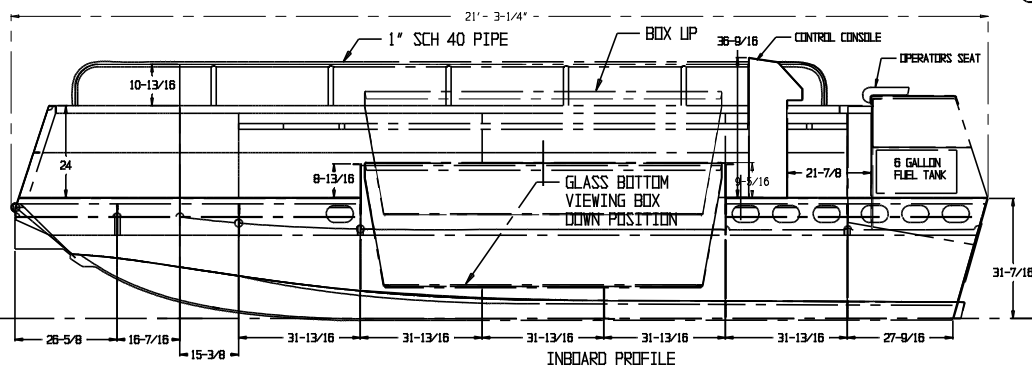
BOW, LKG AFT



OUTBOARD PROFILE



STERN, LKG FWD



INBOARD PROFILE

THESE PLANS, ACCOMPANYING INSTRUCTIONS, AND/OR SPECIFICATIONS GRANT THE PURCHASER OR CLIENT OF RECORD RIGHTS TO BUILD ONE BOAT THEREFROM. ALL DESIGN MATERIALS REMAIN THE PROPERTY OF SPECIALTY MARINE. WHETHER WORK FOR WHICH THEY ARE MADE BE CONSTRUCTED OR NOT, AND POSSESSION OF ANY OF THESE MATERIALS DOES NOT CONSTITUTE AUTHORITY FOR CONSTRUCTION. REPRODUCTION OR DUPLICATION OF ANY MATERIAL HEREIN BY ANY PERSON IS A VIOLATION OF COPYRIGHT UNLESS AUTHORIZED WITH WRITTEN PERMISSION FROM SPECIALTY MARINE.

REV A CREATE DRAWING 12/31/05



SPECIALTY MARINE
21 x 9 GLASS BOTTOM CAT

SIZE FROM NO. 1053 VIEWS 2

SCALE 3/4"=1'-0"