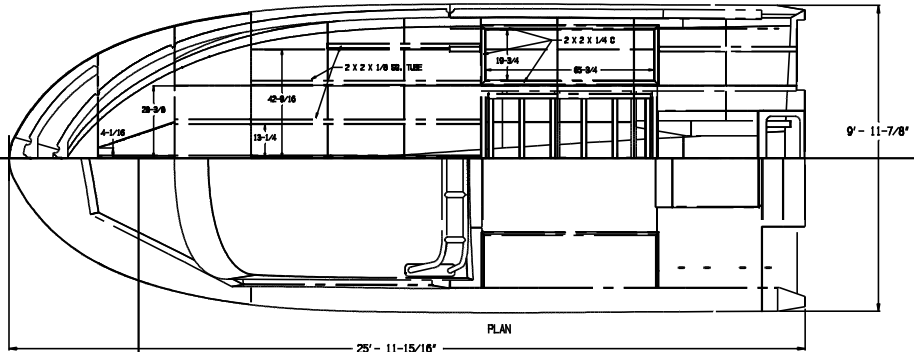
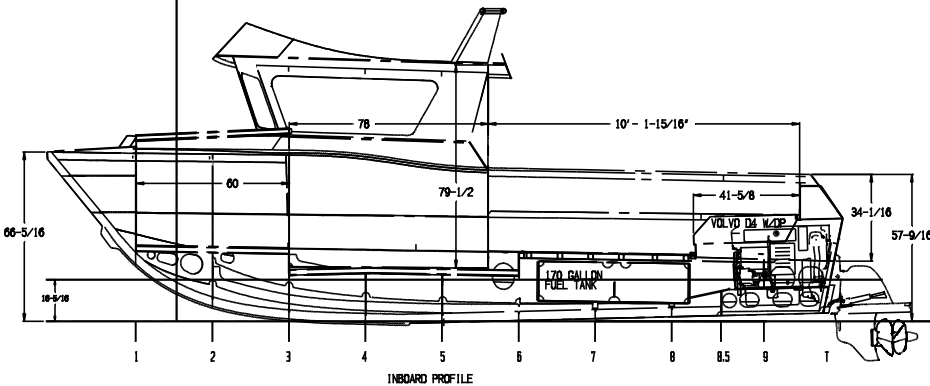


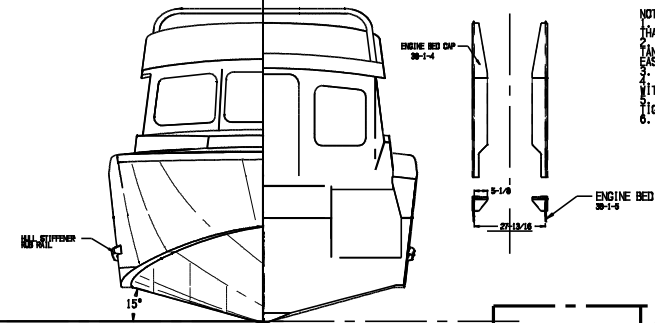
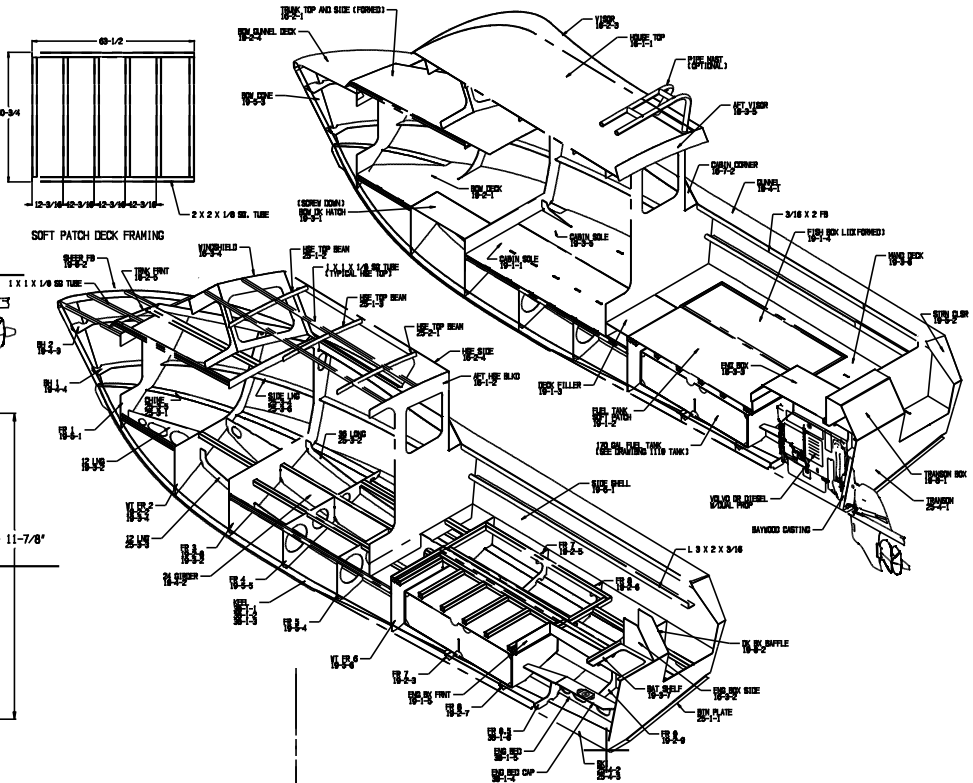
OUTBOARD PROFILE



PLAN



INBOARD PROFILE



NOTES  
 1. TRUNK TOP IS INTENTIONALLY LEFT LONG SO THAT IT CAN BE TRIMMED TO SUITE STEERING STATION  
 2. BOY DECK BENCH AND SEAT MUST COVER FUEL TANK TO BE SHUT DOWN AND NOT INTENDED AS A PLACE TO BE SHUT DOWN AND NOT INTENDED AS A PLACE TO BE SHUT DOWN AND NOT INTENDED AS A PLACE TO BE SHUT DOWN  
 3. TRUNK FORWARD END OF ENGINE BED  
 4. PART OF TRANSOM SIDE OF TRANSOM BOX WITH A SKULL LOCK FOR ACCESS TO THE SKULL LOCK  
 5. SKULL LOCKS TO BE LINED WITH A LIGHT WEIGHT WATER TIGHT FOAM  
 6. INSTALL DECK DRAINS THROUGH THE TRANSOM BOX

"THIS IS A 'REPRODUCED DRAWING' AND NOT AN ORIGINAL DRAWING. THE PURCHASER OR USER OF THIS DRAWING SHALL BE RESPONSIBLE FOR THE PROTECTION OF THIS DRAWING. ALL DESIGN MATERIALS REMAIN THE PROPERTY OF SPECIALTY MARINE. NO PART OF THIS DRAWING SHALL BE REPRODUCED OR TRANSMITTED IN ANY FORM OR BY ANY MEANS, ELECTRONIC OR MECHANICAL, INCLUDING PHOTOCOPYING, RECORDING, OR BY ANY INFORMATION STORAGE AND RETRIEVAL SYSTEM, WITHOUT THE WRITTEN PERMISSION OF SPECIALTY MARINE."

COPYRIGHT

REV A CREATE DRAWING

4/5/06

**SPECIALTY MARINE**  
 26 X 10 SPORTFISHER  
 GENERAL ARRANGEMENTS

SCALE: 1/2" = 1'-0"  
 SHEET 1