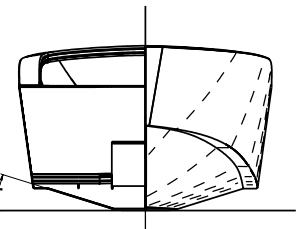
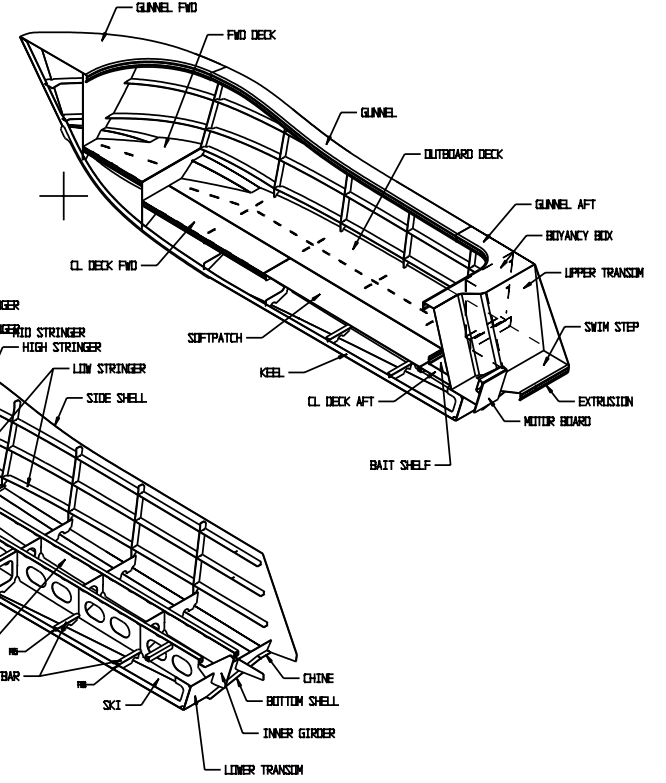
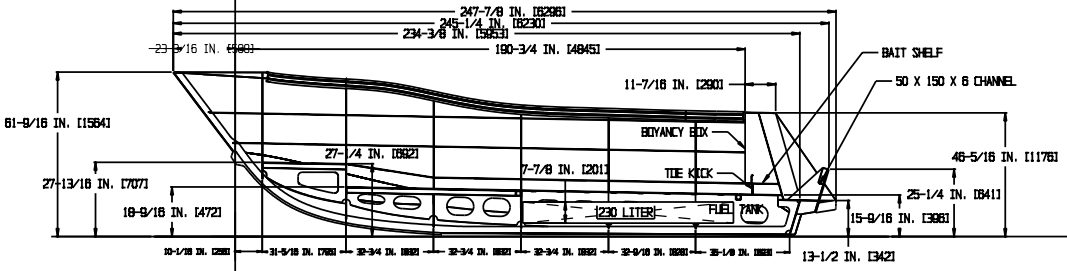
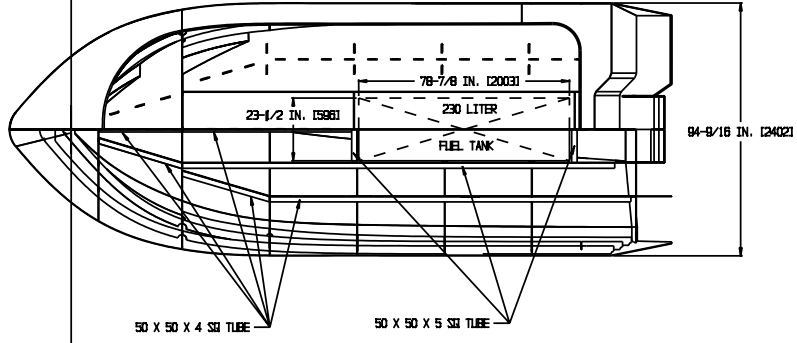
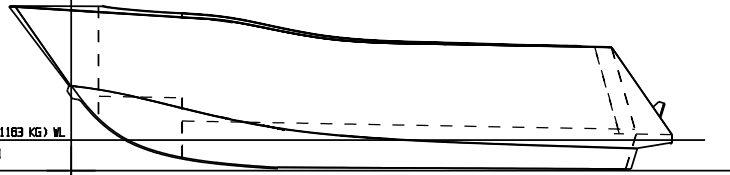


2585 LB (1169 KG) WL
11-7/16 IN. (290)



1/19/07

SPECIALTY MARINE
P.O. Box 1281, Seaside, OR 97138

6 X 2.4 METER ORCA
(20.7' x 7.9')

SIZE: 1/2" = 1'-0" SHEET NO.: 1200 VIEWS REV: X

THESE PLANS, INCLUDING DIMENSIONS, AND/OR SPECIFICATIONS ARE THE PROPERTY OF SPECIALTY MARINE. ALL DIMENSIONS SHOWN ARE SUBJECT TO THE DISCRETION OF SPECIALTY MARINE. NO PARTS ARE TO BE CONSIDERED AS NOT BEING PROVIDED BY SPECIALTY MARINE UNLESS SPECIFICALLY NOTED OTHERWISE. PERMISSION IS GRANTED TO MAKE COPIES OF THESE PLANS FOR PERSONAL USE ONLY. ANY OTHER REPRODUCTION OR DISTRIBUTION WITHOUT THE WRITTEN PERMISSION OF SPECIALTY MARINE IS STRICTLY PROHIBITED.