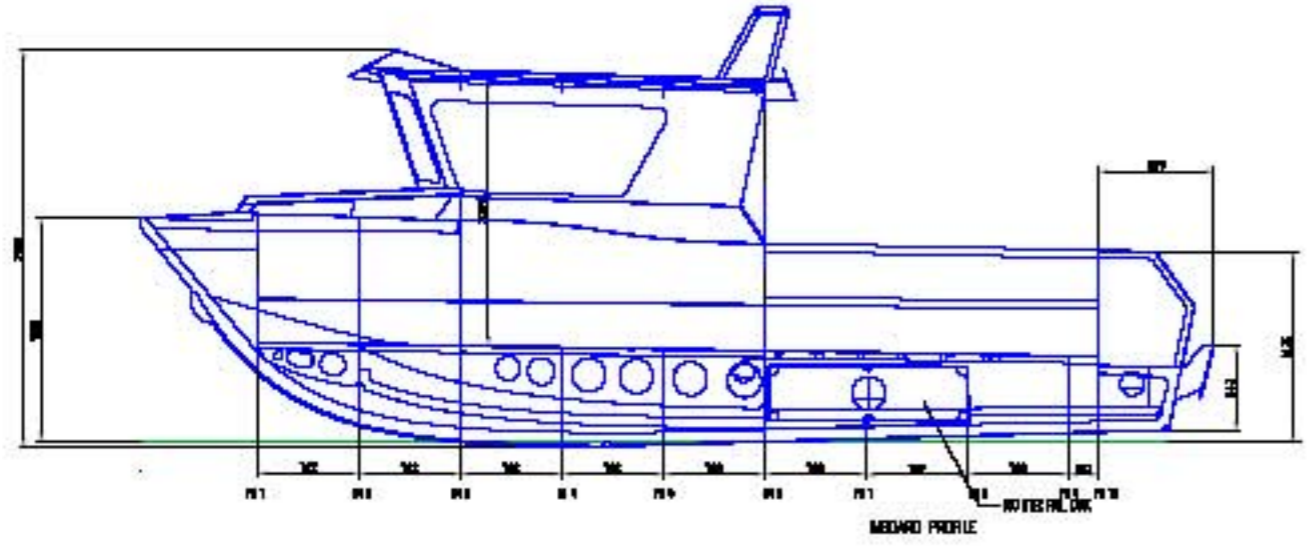
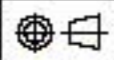



NOTES
 1. DECK TOP IS INTENTIONALLY LEFT OPEN SO THAT IT CAN BE TILTED TO SHAKE EXCESS WATER
 2. BOW DECK RATCH AND BFT PATCH OVER FIRE TANK TO BE SLOW DOWN AMP NOT INTENDED AS A EASILY OPENED HATCH
 3. FISH HOLDS TO BE LINED WITH A LIGHT WEIGHT WATER TRAIT WEB



REVISED	DATE	REASON		
DRAWN: J. REV. SCALE: 1/8" = 1'-0" DATE: 12-01-00		RELATED DESIGNS OR SERVICES OFFERS WITH THESE DESIGNS SHOULD BE MADE CONTACTED THROUGH SUPPORT ELEMENT NAME	REQUIREMENTS: P21 FOLLOWING A JUREM STATED FITNESS: A1	
SPECIALTY MARINE 1000 W. WASHINGTON ST. SUITE 100 TAMPA, FL 33606 			TITLE: ONIX26-SPN1262 GENERAL_ARRANGEMENT CLASSIFICATION: 1262-00-01	DATE: 12-01-00 REV: 0