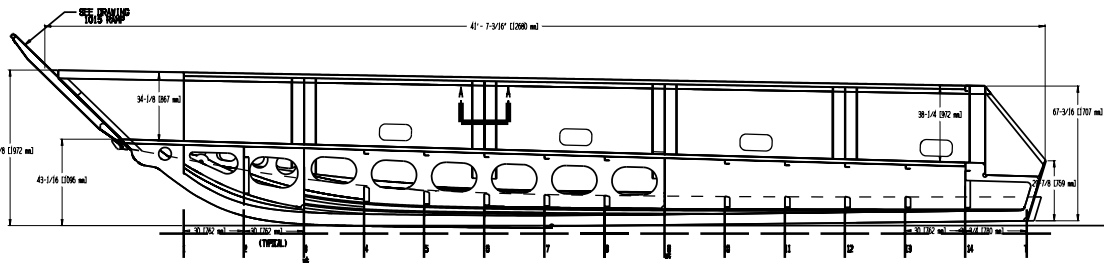
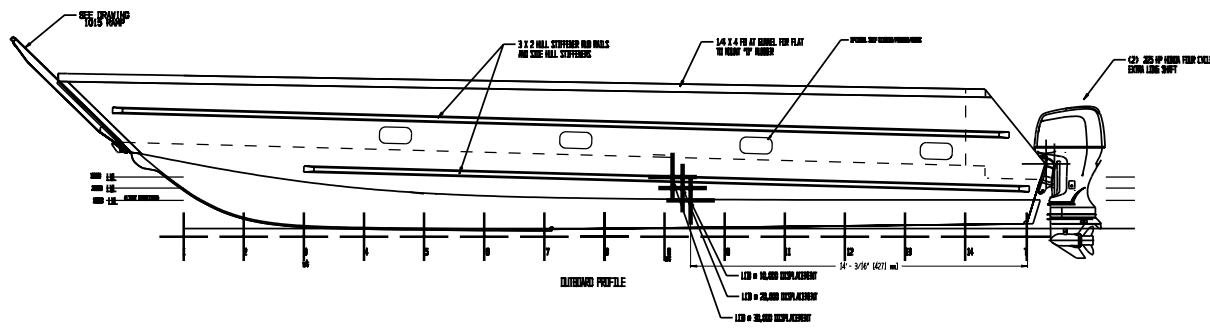


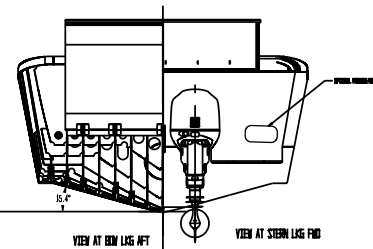
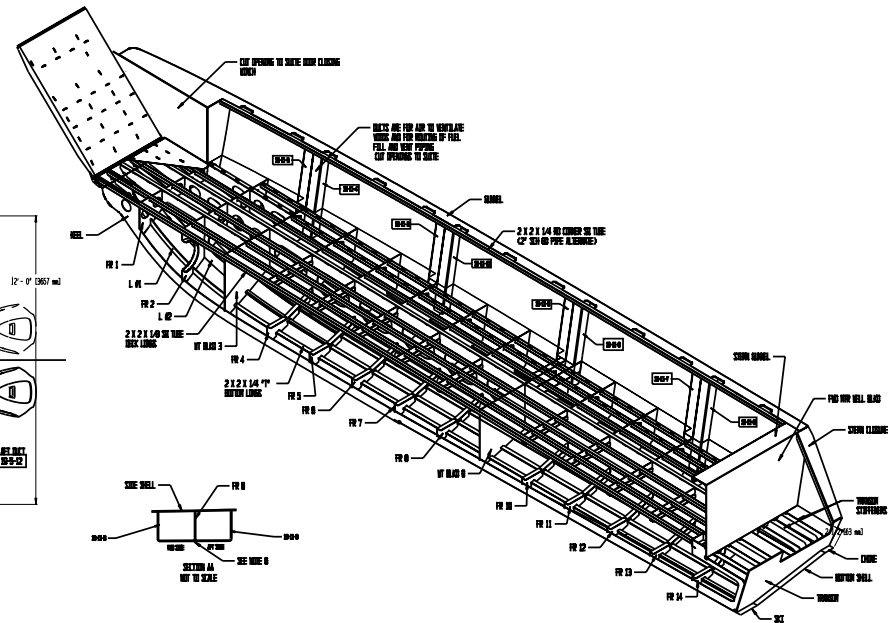
PLAN VIEW



INBOARD PROFILE



OUTBOARD PROFILE




- NOTES:
1. STIFFER BUILDING SHOWN IS REQUIRED FOR DECK BUILDS OF 1000 LB OR GREATER. SEE APPROVED. FTY STIFFENS WITH "PLATED SUPPORT".
 2. COVER DECK PANELS FOR THE HULL FROM FUEL ACCESS UNDER DECK. NO SEW LOCATED AT APPROXIMATELY 1/2\"/>

THIS DRAWING IS THE PROPERTY OF SPECIALTY MARINE. IT IS TO BE USED ONLY FOR THE PROJECT AND VESSEL IDENTIFIED HEREIN. IT IS NOT TO BE REPRODUCED, COPIED, OR TRANSMITTED IN ANY FORM OR BY ANY MEANS, ELECTRONIC OR MECHANICAL, INCLUDING PHOTOCOPYING, RECORDING, OR BY ANY INFORMATION STORAGE AND RETRIEVAL SYSTEM. WITHOUT THE WRITTEN PERMISSION OF SPECIALTY MARINE, ANY PART OF THIS DRAWING IS NOT TO BE USED FOR ANY OTHER PROJECT OR VESSEL. ALL DIMENSIONS ARE IN INCHES UNLESS OTHERWISE SPECIFIED.

REV A 4/25/03 REPLACES REV B14 FROM HULL 1003

8/20/03

		SPECIALTY MARINE 42 X 12 LANDING CRAFT PROFILE, PLAN, AND BODY PLAN	
		SIZE: 3/8" = 1'-0"	SHEET NO.: 815 VIEWS