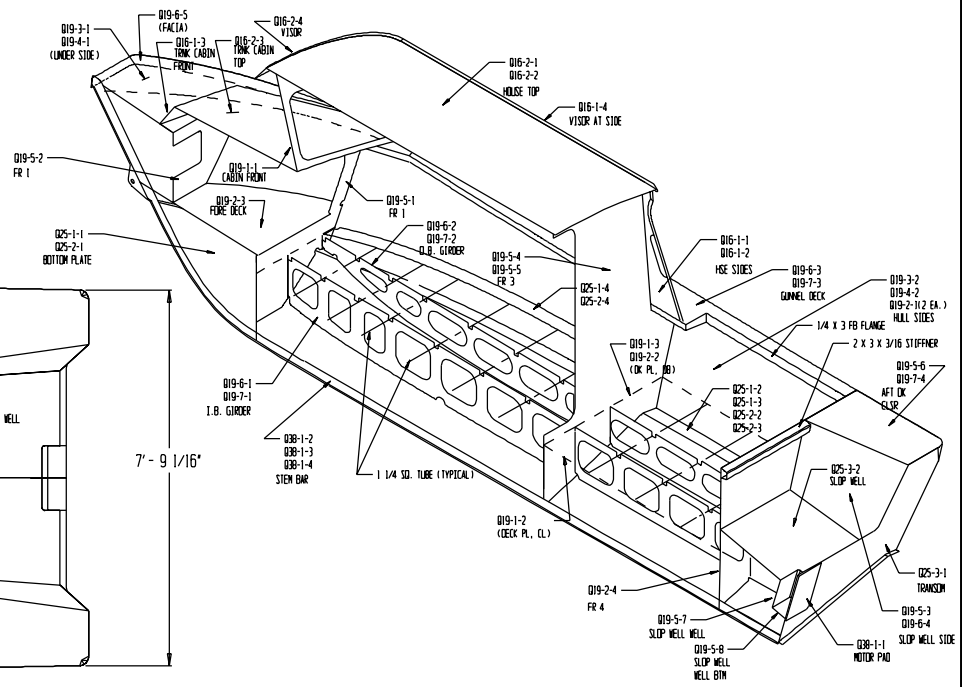
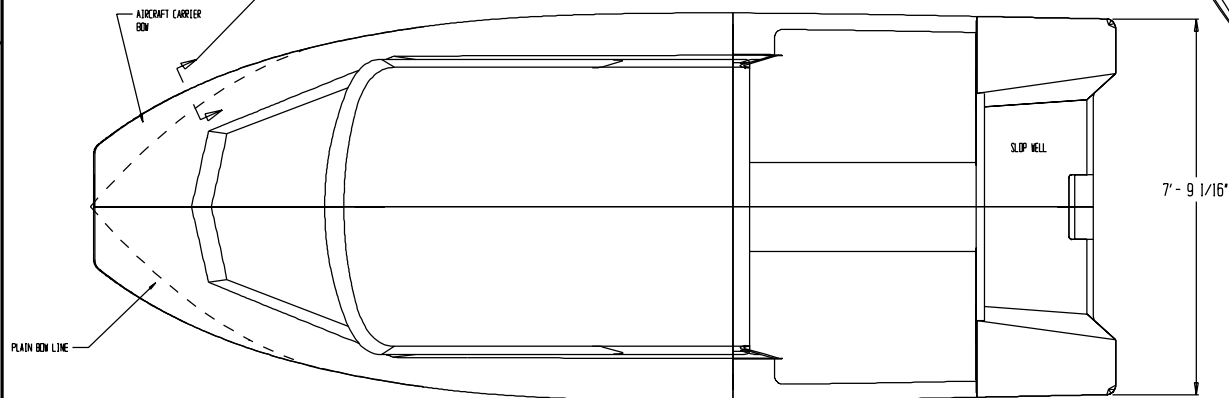
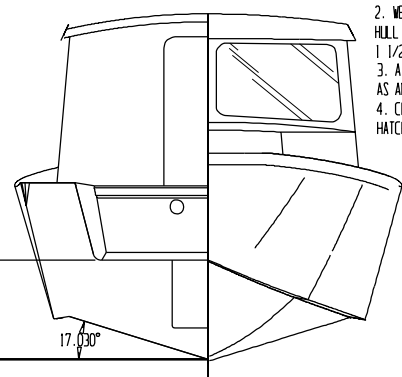
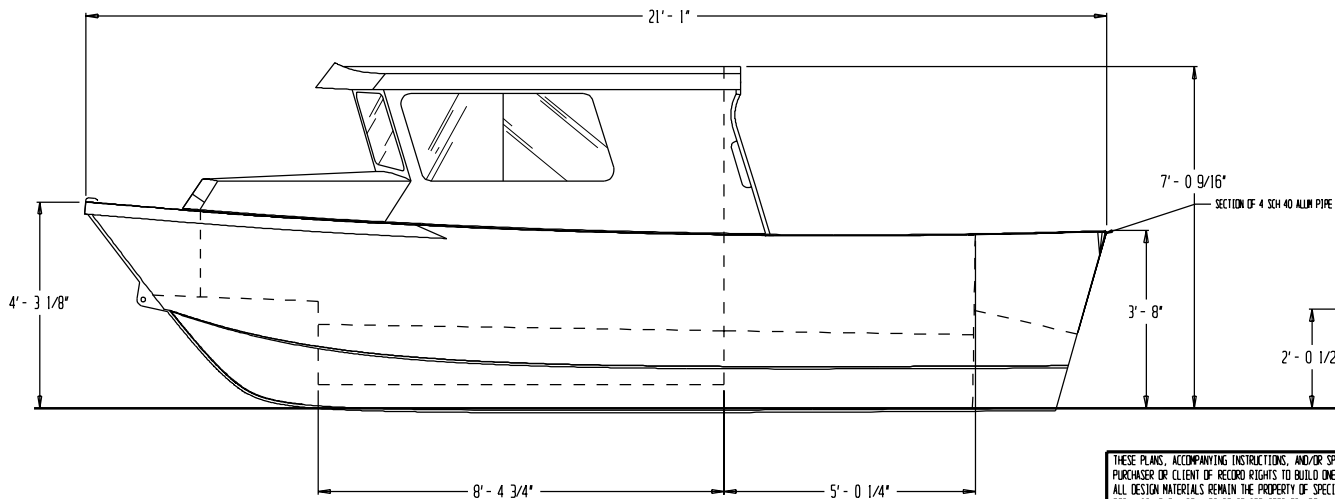


SECTION THRU AC DECK  
NOT TO SCALE



- NOTES:
1. DIMENSIONS ARE FOR GENERAL REFERENCE ONLY. TAKE ACTUAL DIMENSIONS FROM PARTS.
  2. WELDING TO BE DOUBLE CONTINUOUS FOR ALL HULL SEAM WELDS. WELD INTERNAL STIFFENERS 1 1/2" ON 6" CENTERS, STAGGERED.
  3. A CONVENTIONAL DECK AT THE BOW IS AVAILABLE AS AN OPTIONAL ITEM.
  4. CONTACT KIT SUPPLIER FOR OODR, WINDOW, AND HATCH DETAILS.



THESE PLANS, ACCOMPANYING INSTRUCTIONS, AND/OR SPECIFICATIONS GRANT THE PURCHASER OR CLIENT OF RECORD RIGHTS TO BUILD ONE BOAT THEREFROM. ALL DESIGN MATERIALS REMAIN THE PROPERTY OF SPECIALTY MARINE. WHETHER WORK FOR WHICH THEY ARE MADE BE CONSTRUCTED OR NOT, AND POSSESSION OF ANY OF THESE MATERIALS DOES NOT CONSTITUTE AUTHORITY FOR CONSTRUCTION. REPRODUCTION OR DUPLICATION OF ANY MATERIAL HEREIN IN ANY FORM IS A VIOLATION OF COPYRIGHT UNLESS AUTHORIZED WITH WRITTEN PERMISSION FROM SPECIALTY MARINE.

5/14/97

<b>SPECIALTY MARINE</b> <small>PO Box 1081, Seaposses, OR 97058</small>		
21 SITKA		
COPYRIGHT		
SIZE: FISH NO.	DWG NO. <b>538SALE1.PRT</b>	REV
SCALE: 3/4"=1'-0"		
SHEET		