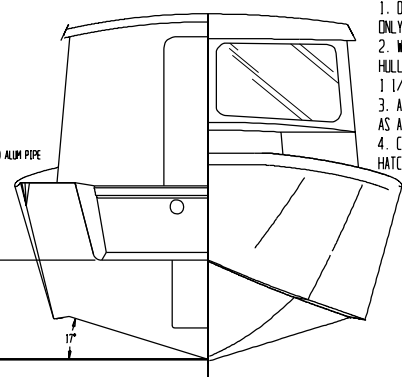
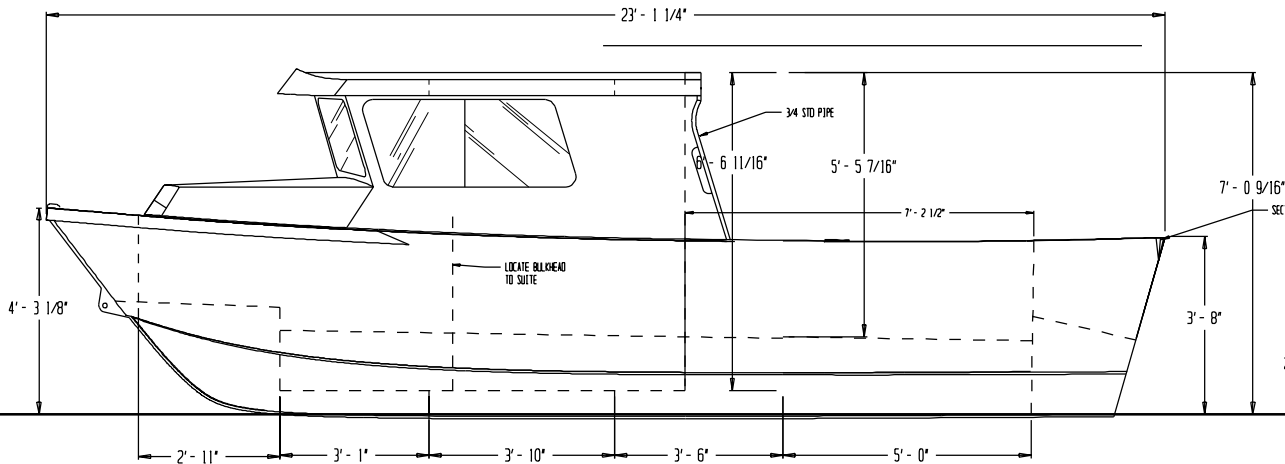
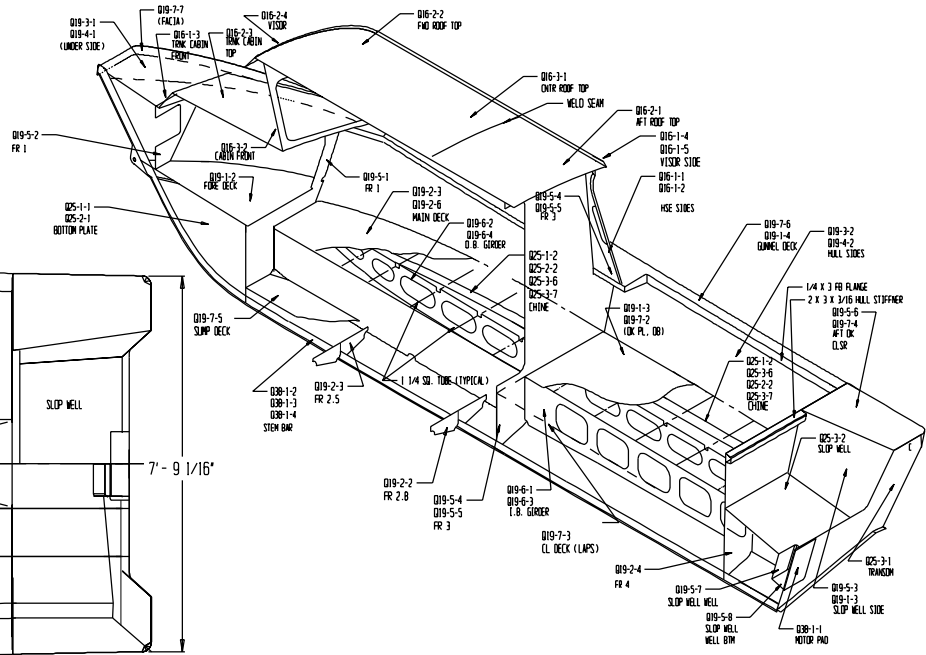
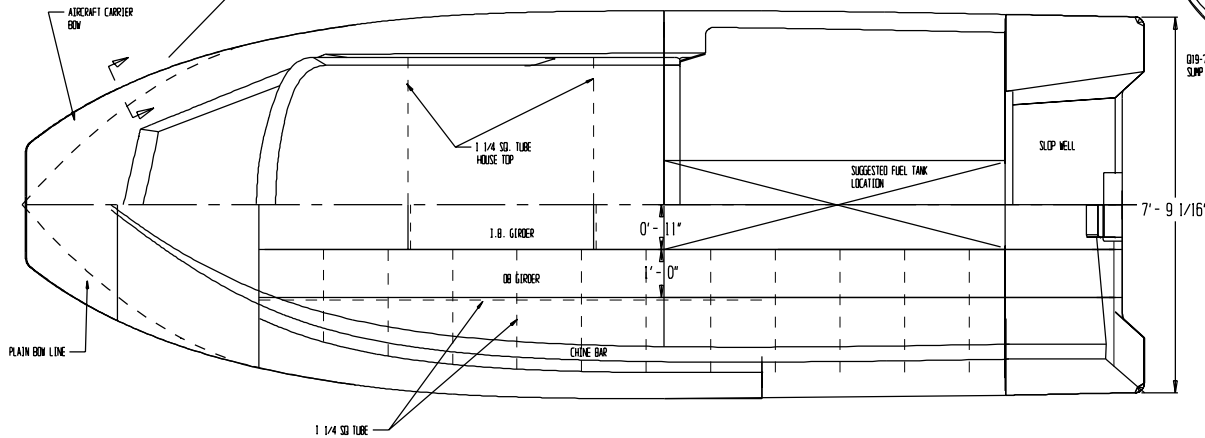
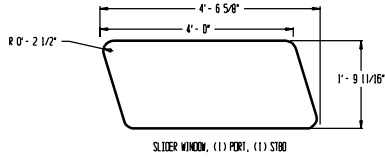


SECTION THRU AC DECK
NOT TO SCALE



- NOTES:
1. DIMENSIONS ARE FOR GENERAL REFERENCE ONLY. TAKE ACTUAL DIMENSIONS FROM PARTS.
 2. WELDING TO BE DOUBLE CONTINUOUS FOR ALL HULL SEAM WELDS. WELD INTERNAL STIFFENERS 1/2" ON 6" CENTERS, STAGGERED.
 3. A CONVENTIONAL DECK AT THE BOW IS AVAILABLE AS AN OPTIONAL ITEM.
 4. CONTACT KIT SUPPLIER FOR DOOR, WINDOW, AND HATCH DETAILS.

THESE PLANS, ACCOMPANYING INSTRUCTIONS, AND/OR SPECIFICATIONS FORM THE PROPERTY OF SPECIALTY MARINE. ALL DESIGN MATERIALS REMAIN THE PROPERTY OF THE DESIGNER WHETHER USED FOR WHOLE OR PART. THESE MATERIALS ARE NOT TO BE REPRODUCED OR TRANSMITTED IN ANY FORM OR BY ANY MEANS, ELECTRONIC OR MECHANICAL, INCLUDING PHOTOCOPYING, RECORDING, OR BY ANY INFORMATION STORAGE AND RETRIEVAL SYSTEM. PERMISSION FROM THE DESIGNER IS REQUIRED FOR REPRODUCTION.

10/5/00

SPECIALTY MARINE
PO Box 1081, Seabrook, CO 97066

23 SITKA

SIZE: FSCH NO. DWG NO. COPYVIEWS REV

SCALE: 3/4"=1'-0" SHEET