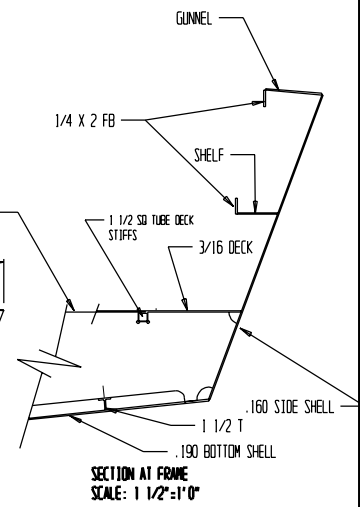
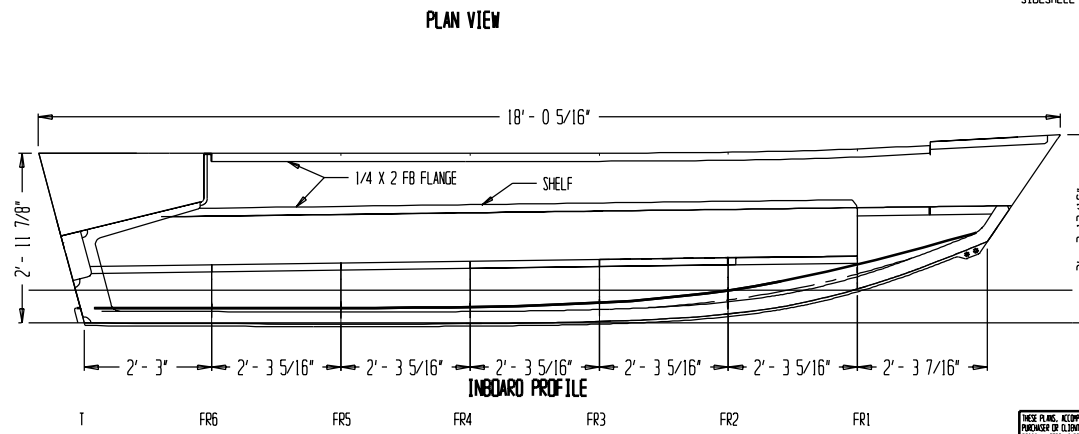


ISOMETRIC VIEW

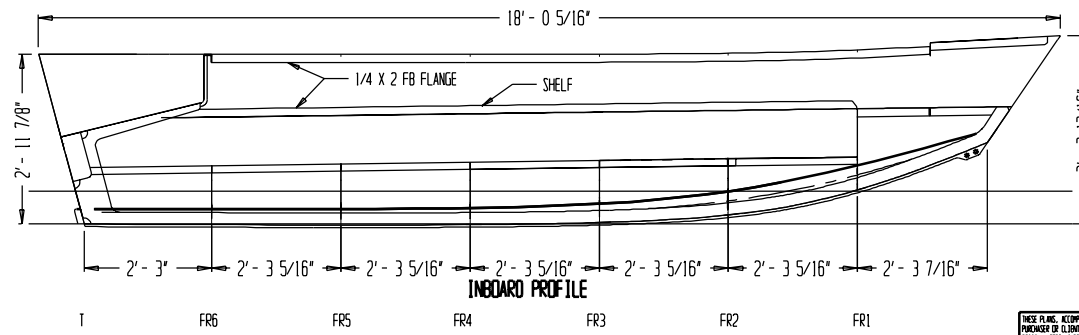
- NOTES:
1. AFTER WELDING, CUT DRAIN HOLES THROUGH THE TRANSOM TO ALLOW DRAINAGE OF THE MOTOR WELL.
 2. TRIM EXCESS OFF OF SIDE SHELL AFT END AFTER BOAT IS WELDED.



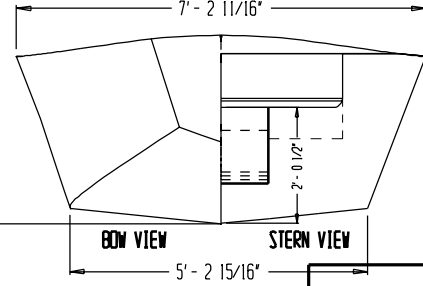
SECTION AT FRAME
SCALE: 1 1/2"=1'0"



PLAN VIEW



INBOARD PROFILE



BOW VIEW STERN VIEW

THESE PLANS, ACCOMPANYING INSTRUCTIONS, AND/OR SPECIFICATIONS, CONSTITUTE THE ENTIRE AGREEMENT BETWEEN THE BUYER AND THE SELLER. ALL DIMENSIONS ARE TO UNLESS OTHERWISE SPECIFIED. THE BUYER SHALL BE RESPONSIBLE FOR OBTAINING ALL NECESSARY PERMITS AND APPROVALS. THE SELLER MAKES NO WARRANTY, EXPRESS OR IMPLIED, AS TO THE MERCHANTABILITY OF THE MATERIALS OR THE FITNESS OF THE DESIGN FOR ANY PARTICULAR PURPOSE. THE SELLER SHALL NOT BE LIABLE FOR ANY DAMAGES, INCLUDING CONSEQUENTIAL DAMAGES, ARISING OUT OF OR FROM THE USE OF THESE PLANS. THE SELLER SHALL NOT BE RESPONSIBLE FOR ANY DELAYS OR DAMAGES CAUSED BY THE BUYER'S FAILURE TO FOLLOW THE INSTRUCTIONS AND/OR SPECIFICATIONS. THE SELLER SHALL NOT BE RESPONSIBLE FOR ANY DAMAGES CAUSED BY THE BUYER'S FAILURE TO OBTAIN NECESSARY PERMITS AND APPROVALS. THE SELLER SHALL NOT BE RESPONSIBLE FOR ANY DAMAGES CAUSED BY THE BUYER'S FAILURE TO OBTAIN NECESSARY MATERIALS. THE SELLER SHALL NOT BE RESPONSIBLE FOR ANY DAMAGES CAUSED BY THE BUYER'S FAILURE TO OBTAIN NECESSARY LABOR. THE SELLER SHALL NOT BE RESPONSIBLE FOR ANY DAMAGES CAUSED BY THE BUYER'S FAILURE TO OBTAIN NECESSARY TOOLS. THE SELLER SHALL NOT BE RESPONSIBLE FOR ANY DAMAGES CAUSED BY THE BUYER'S FAILURE TO OBTAIN NECESSARY EQUIPMENT. THE SELLER SHALL NOT BE RESPONSIBLE FOR ANY DAMAGES CAUSED BY THE BUYER'S FAILURE TO OBTAIN NECESSARY SKILL. THE SELLER SHALL NOT BE RESPONSIBLE FOR ANY DAMAGES CAUSED BY THE BUYER'S FAILURE TO OBTAIN NECESSARY KNOWLEDGE. THE SELLER SHALL NOT BE RESPONSIBLE FOR ANY DAMAGES CAUSED BY THE BUYER'S FAILURE TO OBTAIN NECESSARY EXPERIENCE. THE SELLER SHALL NOT BE RESPONSIBLE FOR ANY DAMAGES CAUSED BY THE BUYER'S FAILURE TO OBTAIN NECESSARY ATTENTION. THE SELLER SHALL NOT BE RESPONSIBLE FOR ANY DAMAGES CAUSED BY THE BUYER'S FAILURE TO OBTAIN NECESSARY CARE. THE SELLER SHALL NOT BE RESPONSIBLE FOR ANY DAMAGES CAUSED BY THE BUYER'S FAILURE TO OBTAIN NECESSARY MAINTENANCE. THE SELLER SHALL NOT BE RESPONSIBLE FOR ANY DAMAGES CAUSED BY THE BUYER'S FAILURE TO OBTAIN NECESSARY REPAIRS. THE SELLER SHALL NOT BE RESPONSIBLE FOR ANY DAMAGES CAUSED BY THE BUYER'S FAILURE TO OBTAIN NECESSARY REPLACEMENTS. THE SELLER SHALL NOT BE RESPONSIBLE FOR ANY DAMAGES CAUSED BY THE BUYER'S FAILURE TO OBTAIN NECESSARY UPGRADES. THE SELLER SHALL NOT BE RESPONSIBLE FOR ANY DAMAGES CAUSED BY THE BUYER'S FAILURE TO OBTAIN NECESSARY MODIFICATIONS. THE SELLER SHALL NOT BE RESPONSIBLE FOR ANY DAMAGES CAUSED BY THE BUYER'S FAILURE TO OBTAIN NECESSARY ADJUSTMENTS. THE SELLER SHALL NOT BE RESPONSIBLE FOR ANY DAMAGES CAUSED BY THE BUYER'S FAILURE TO OBTAIN NECESSARY TUNING. THE SELLER SHALL NOT BE RESPONSIBLE FOR ANY DAMAGES CAUSED BY THE BUYER'S FAILURE TO OBTAIN NECESSARY CALIBRATION. THE SELLER SHALL NOT BE RESPONSIBLE FOR ANY DAMAGES CAUSED BY THE BUYER'S FAILURE TO OBTAIN NECESSARY ALIGNMENT. THE SELLER SHALL NOT BE RESPONSIBLE FOR ANY DAMAGES CAUSED BY THE BUYER'S FAILURE TO OBTAIN NECESSARY LEVELING. THE SELLER SHALL NOT BE RESPONSIBLE FOR ANY DAMAGES CAUSED BY THE BUYER'S FAILURE TO OBTAIN NECESSARY SQUARENESS. THE SELLER SHALL NOT BE RESPONSIBLE FOR ANY DAMAGES CAUSED BY THE BUYER'S FAILURE TO OBTAIN NECESSARY PLUMBLINESS. THE SELLER SHALL NOT BE RESPONSIBLE FOR ANY DAMAGES CAUSED BY THE BUYER'S FAILURE TO OBTAIN NECESSARY LEVELNESS. THE SELLER SHALL NOT BE RESPONSIBLE FOR ANY DAMAGES CAUSED BY THE BUYER'S FAILURE TO OBTAIN NECESSARY STRAIGHTNESS. THE SELLER SHALL NOT BE RESPONSIBLE FOR ANY DAMAGES CAUSED BY THE BUYER'S FAILURE TO OBTAIN NECESSARY ROUNDNESS. THE SELLER SHALL NOT BE RESPONSIBLE FOR ANY DAMAGES CAUSED BY THE BUYER'S FAILURE TO OBTAIN NECESSARY SMOOTHNESS. THE SELLER SHALL NOT BE RESPONSIBLE FOR ANY DAMAGES CAUSED BY THE BUYER'S FAILURE TO OBTAIN NECESSARY FINISH. THE SELLER SHALL NOT BE RESPONSIBLE FOR ANY DAMAGES CAUSED BY THE BUYER'S FAILURE TO OBTAIN NECESSARY PROTECTION. THE SELLER SHALL NOT BE RESPONSIBLE FOR ANY DAMAGES CAUSED BY THE BUYER'S FAILURE TO OBTAIN NECESSARY PRESERVATION. THE SELLER SHALL NOT BE RESPONSIBLE FOR ANY DAMAGES CAUSED BY THE BUYER'S FAILURE TO OBTAIN NECESSARY RESTORATION. THE SELLER SHALL NOT BE RESPONSIBLE FOR ANY DAMAGES CAUSED BY THE BUYER'S FAILURE TO OBTAIN NECESSARY REPAIRS. THE SELLER SHALL NOT BE RESPONSIBLE FOR ANY DAMAGES CAUSED BY THE BUYER'S FAILURE TO OBTAIN NECESSARY REPLACEMENTS. THE SELLER SHALL NOT BE RESPONSIBLE FOR ANY DAMAGES CAUSED BY THE BUYER'S FAILURE TO OBTAIN NECESSARY UPGRADES. THE SELLER SHALL NOT BE RESPONSIBLE FOR ANY DAMAGES CAUSED BY THE BUYER'S FAILURE TO OBTAIN NECESSARY MODIFICATIONS. THE SELLER SHALL NOT BE RESPONSIBLE FOR ANY DAMAGES CAUSED BY THE BUYER'S FAILURE TO OBTAIN NECESSARY ADJUSTMENTS. THE SELLER SHALL NOT BE RESPONSIBLE FOR ANY DAMAGES CAUSED BY THE BUYER'S FAILURE TO OBTAIN NECESSARY TUNING. THE SELLER SHALL NOT BE RESPONSIBLE FOR ANY DAMAGES CAUSED BY THE BUYER'S FAILURE TO OBTAIN NECESSARY CALIBRATION. THE SELLER SHALL NOT BE RESPONSIBLE FOR ANY DAMAGES CAUSED BY THE BUYER'S FAILURE TO OBTAIN NECESSARY ALIGNMENT. THE SELLER SHALL NOT BE RESPONSIBLE FOR ANY DAMAGES CAUSED BY THE BUYER'S FAILURE TO OBTAIN NECESSARY LEVELING. THE SELLER SHALL NOT BE RESPONSIBLE FOR ANY DAMAGES CAUSED BY THE BUYER'S FAILURE TO OBTAIN NECESSARY SQUARENESS. THE SELLER SHALL NOT BE RESPONSIBLE FOR ANY DAMAGES CAUSED BY THE BUYER'S FAILURE TO OBTAIN NECESSARY PLUMBLINESS. THE SELLER SHALL NOT BE RESPONSIBLE FOR ANY DAMAGES CAUSED BY THE BUYER'S FAILURE TO OBTAIN NECESSARY LEVELNESS. THE SELLER SHALL NOT BE RESPONSIBLE FOR ANY DAMAGES CAUSED BY THE BUYER'S FAILURE TO OBTAIN NECESSARY STRAIGHTNESS. THE SELLER SHALL NOT BE RESPONSIBLE FOR ANY DAMAGES CAUSED BY THE BUYER'S FAILURE TO OBTAIN NECESSARY ROUNDNESS. THE SELLER SHALL NOT BE RESPONSIBLE FOR ANY DAMAGES CAUSED BY THE BUYER'S FAILURE TO OBTAIN NECESSARY SMOOTHNESS. THE SELLER SHALL NOT BE RESPONSIBLE FOR ANY DAMAGES CAUSED BY THE BUYER'S FAILURE TO OBTAIN NECESSARY FINISH. THE SELLER SHALL NOT BE RESPONSIBLE FOR ANY DAMAGES CAUSED BY THE BUYER'S FAILURE TO OBTAIN NECESSARY PROTECTION. THE SELLER SHALL NOT BE RESPONSIBLE FOR ANY DAMAGES CAUSED BY THE BUYER'S FAILURE TO OBTAIN NECESSARY PRESERVATION. THE SELLER SHALL NOT BE RESPONSIBLE FOR ANY DAMAGES CAUSED BY THE BUYER'S FAILURE TO OBTAIN NECESSARY RESTORATION.

SPECIALTY MARINE PO Box 1001, Seabrook, OR 97138		COPYRIGHT	
18' OUTBACK			
SIZE	FSCH NO.	DWG NO.	REV
10/25/00		598VIEWS.PRT	
SCALE	NTS		SHEET