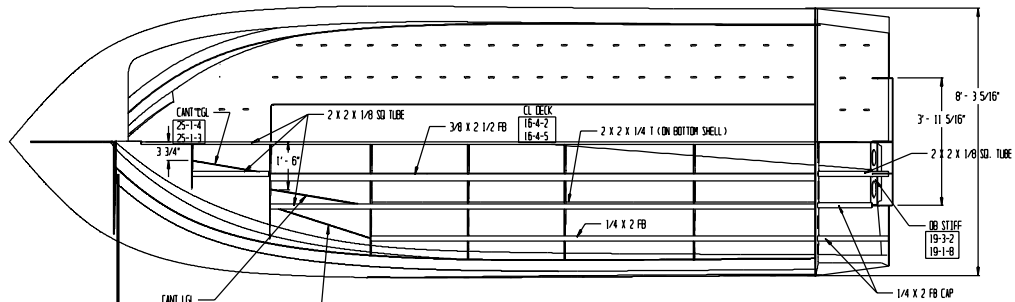
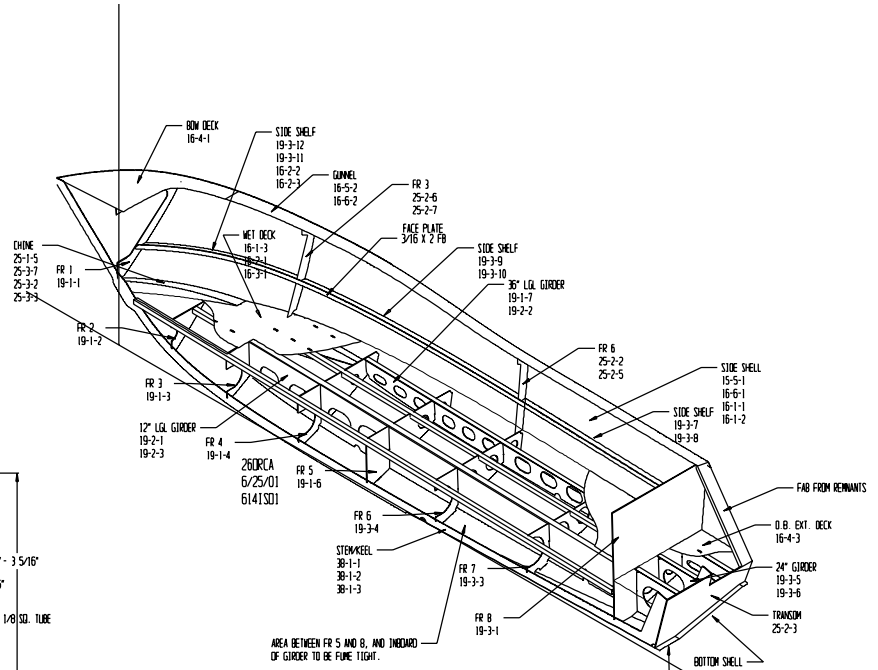
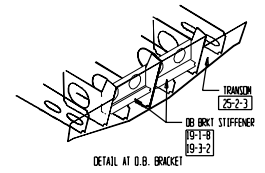
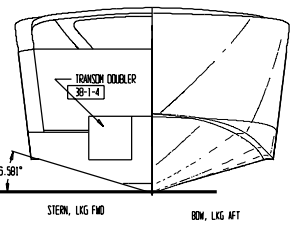
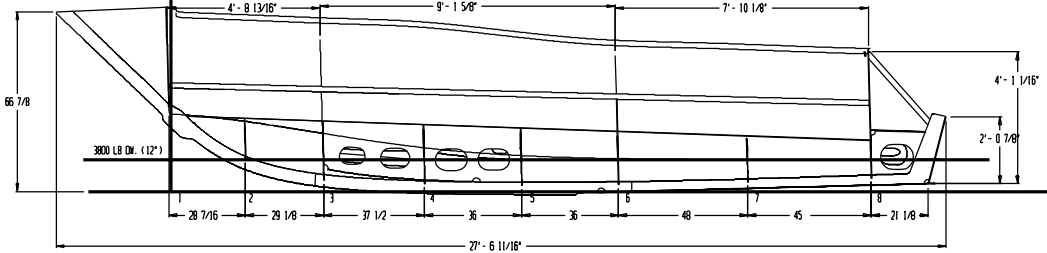


SECTION THROUGH FRAME 6
SCALE: 1" = 1'0"



26.5 DREA
DRAWING 6/25/91
SCALE: 1/4" = 1'0"



REV A 11/22/02 REMOVED LISTENING HOLES
FRAME 5-8 AND GUNNER TO MAKE AREA
AROUND FUEL TANK TUBE TIGHT.
ADDED TRIM ALLOWANCE ON DECK PLATE.

2/5/02		
SPECIALTY MARINE		
Pg. No. 1081, Skoppage, DR 07056		
27.5 DREA		
PLAN, INBOARD PROFILE, AND ISOMETRIC		
SIZE	ESCH. NO.	DRG. NO.
SCALE 1/2" = 1'0"		701VIEWS, REV A
		REV
		SHEET