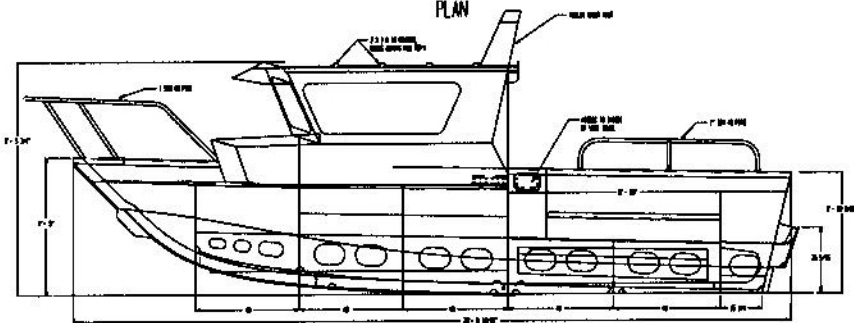
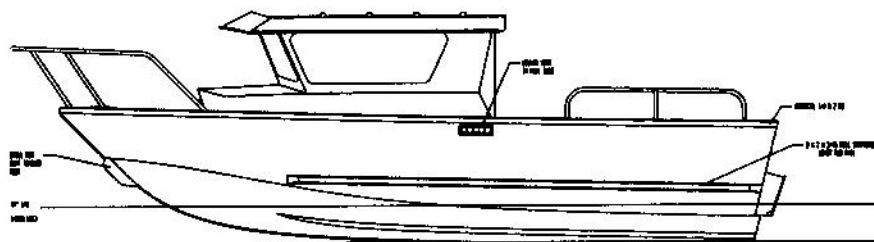


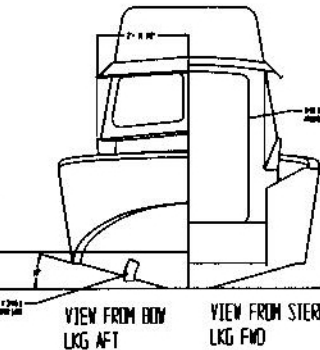
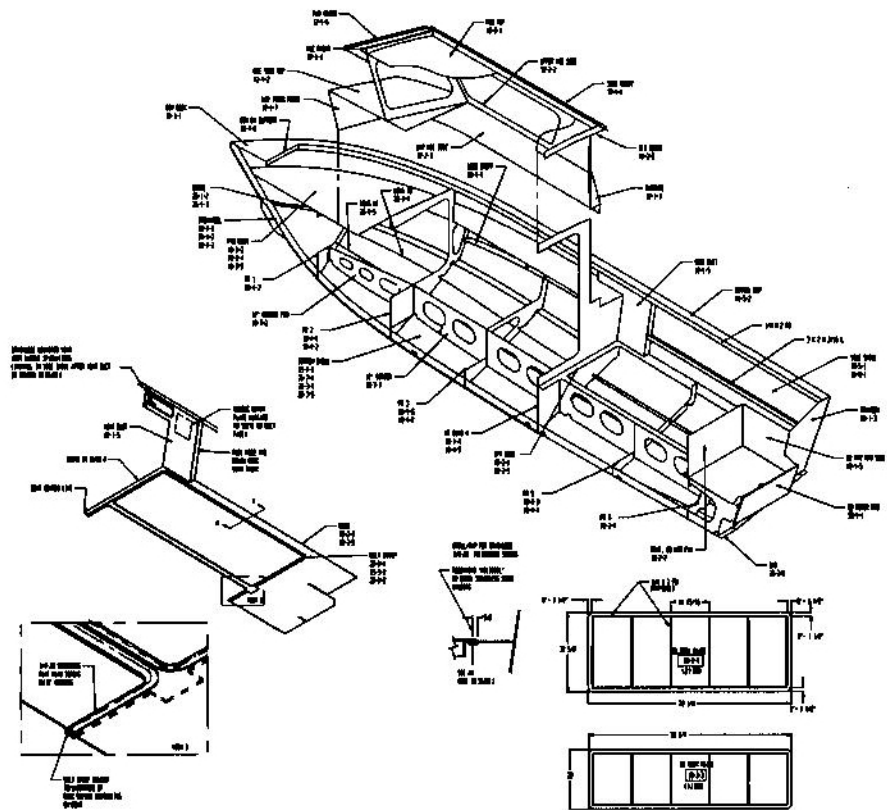
PLAN



INBOARD PROFILE



OUTBOARD PROFILE



VIEW FROM BOW
LKG AFT

VIEW FROM STERN,
LKG FWD

- NOTES:
1. WELD THROUGH LINES TO SHOWN SHELL
LEFT BOW ON ONE SIDE, INTERMEDIATE
ON OTHER SIDE FROM FRAME 4 FORWARD
OF 1/2 OF FRAME 4, USE 7" INTERMEDIATE RIGGING
ON 1/2 FORWARD. ALL OTHER INTERIOR FRAMING
RELATIONS TO BE 2" INTERMEDIATE RIGGING.
STANDARD 100' STOWAGE.
 2. 3"x6"x1/2" PLATES ON FRAMES 1, 2,
AND 3 ARE TO ALLOW ATTACHMENT OF 3/4"
PLATING INTERIOR DECK.
 3. FORWARD BOW RIGGING RELIES ON #1 DECK
SHELL AND BUSHING DECK PLATES.
 4. BOWSE FUEL FILL HOSE AND VIEW OF BOW
DECK. VIEW SHALL BE FORWARD OF 1/2 FROM
BOW INBOARD DECK.

6/13/03

SPECIALTY MARINE			
23 ALASKAN			
PROFILE AND ARRANGEMENT			
SIZE	VIEW NO.	DATE	BY
		8/0	8/0 VIEWS
DATE 1/22-21/03			