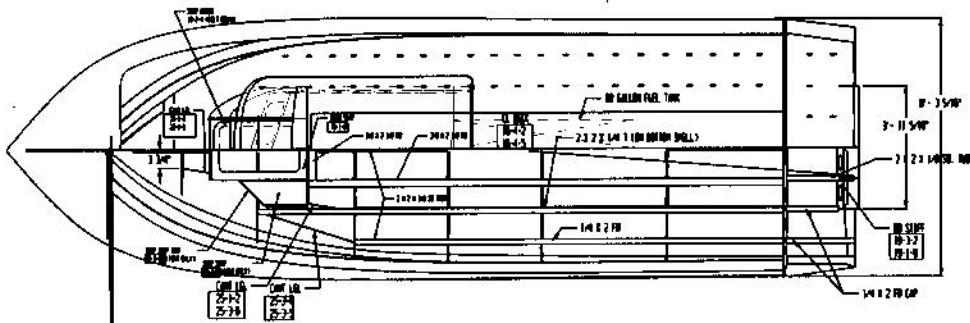
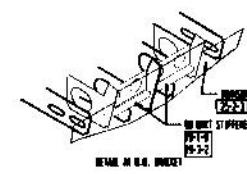
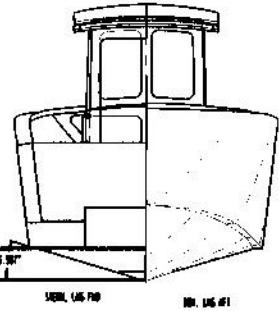
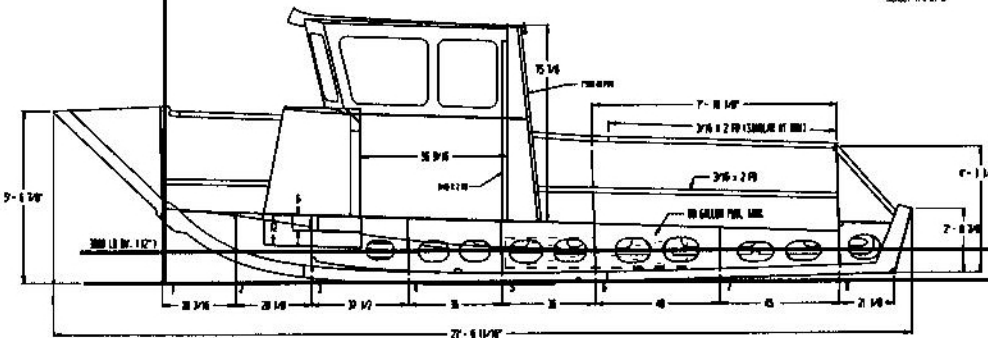
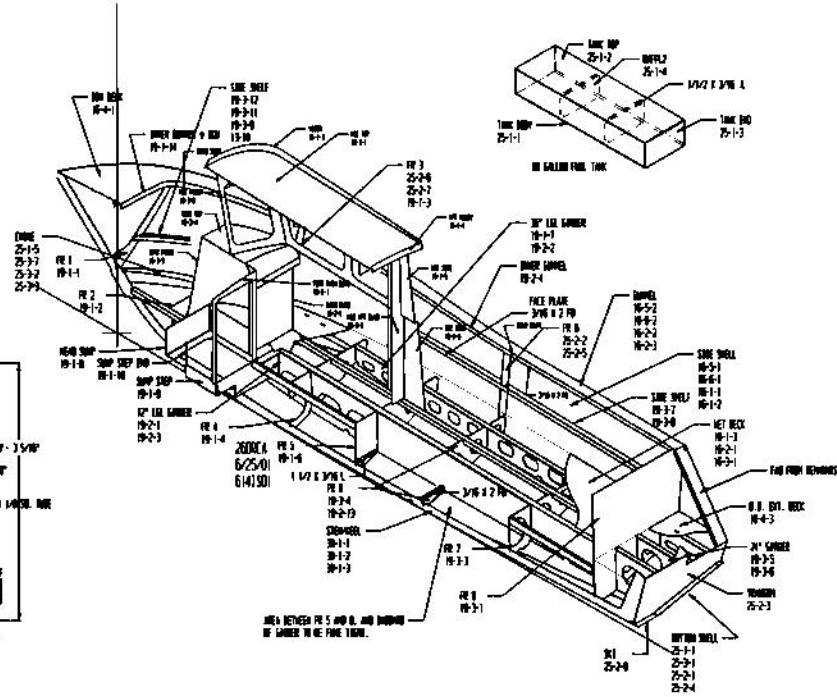


SECTION THROUGH FRAME 6  
NO SCALE



26.5 IN. DIA.  
BRASS BATTERY  
6/25/91  
SCALE: 1/4\"/>



THIS PLAN, ISOMETRIC, PROFILE, AND ISOMETRIC VIEWS ARE FOR INFORMATION ONLY AND ARE NOT TO BE USED FOR CONSTRUCTION OF THE HULL UNLESS SPECIFICALLY NOTED OTHERWISE. THE HULL SHALL BE AS SHOWN UNLESS OTHERWISE NOTED. ALL DIMENSIONS ARE UNLESS OTHERWISE SPECIFIED IN INCHES. DIMENSIONS IN PARENTHESIS ARE IN MILLIMETERS. DIMENSIONS IN METERS ARE UNLESS OTHERWISE SPECIFIED. DIMENSIONS IN METERS ARE UNLESS OTHERWISE SPECIFIED.

REV A: 11-20-00: REVISED LITTING HOLES FRAME 5-6 AND GANTRY TO MAKE AREA AROUND FUEL TANK FREE 1500.  
ADD WITH ALLOWANCE ON DECK PLATE.

3/6/04

SPECIALTY MARINE	
27.5 ORLA	
PLAN, ISOMETRIC PROFILE, AND ISOMETRIC	
DATE: 1/2/04	REV: 905 VIEWS 1
SCALE: 1/2"=1'-0"	UNIT: INCH