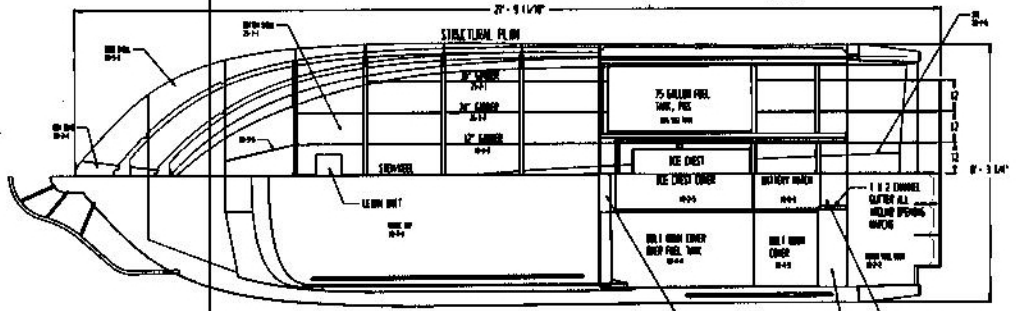
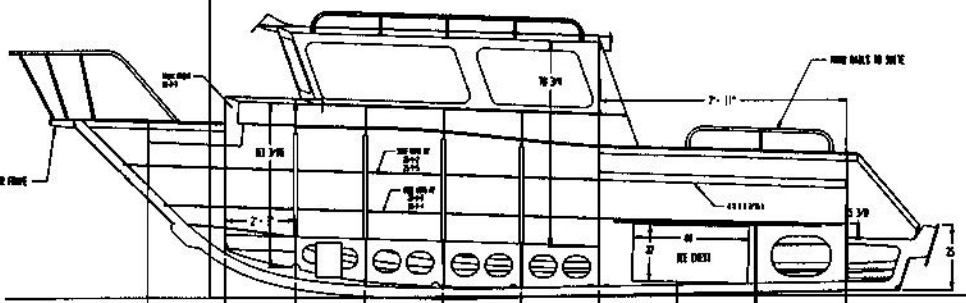


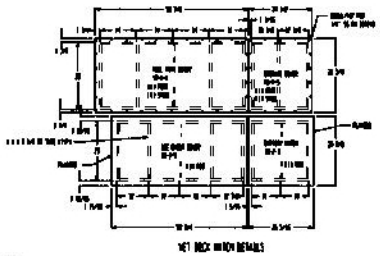
OUTBOARD PROFILE  
2 1/2" HORN STIFFENER  
HORN BOLT



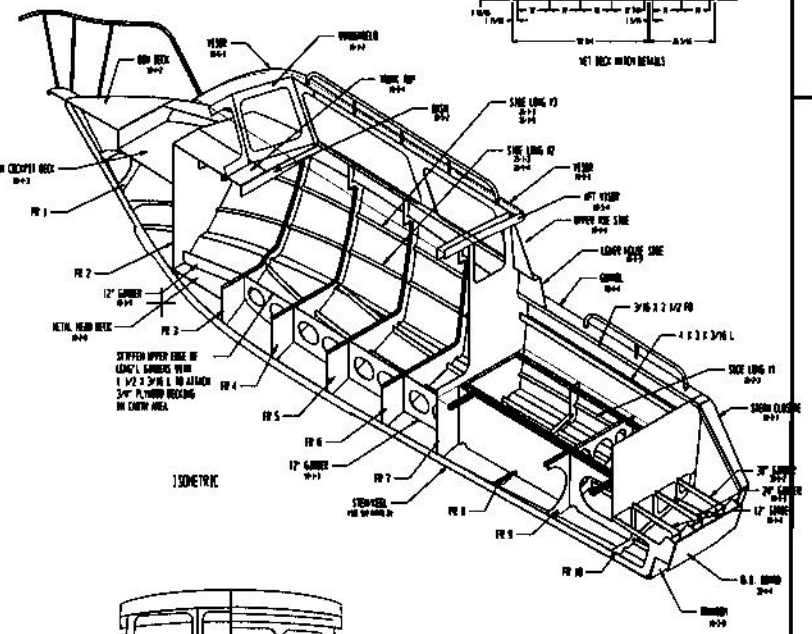
DECK PLAN



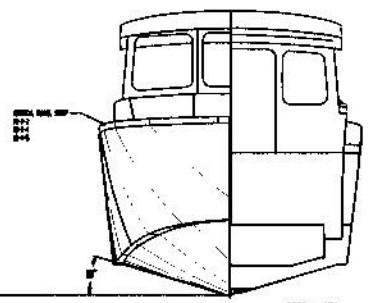
INBOARD PROFILE



NET DECK WITH NET DETAILS



ISOMETRIC



BOW VIEW  
LOOK AFT

STERN VIEW  
LOOK FWD

- NOTES:
1. FOR FRAME DETAILS, SEE SHEET PARTS 1
  2. FOR LONGITUDINAL MEMBERS AND PLAYS, SEE DRAWING SHEET PARTS 2
  3. FOR CABIN PARTS, SEE DRAWING SHEET PARTS 3
  4. FOR PANELS ON DRAWING SHEET PARTS 4
  5. LOWER VIEWS ON DRAWING SHEET PARTS 5
  6. VERNIER AND BUMP INDICATORS ON DRAWING SHEET PARTS 6
  7. METAL BATTERY HOUSING FOR BOW SHEET, SEE DRAWING SHEET PARTS 7

4/9/04

SPECIALTY MARINE		28 X 8' 6" SPORTFISHER VIEWS	
SHEET NO.	912 VIEWS	DATE	1/22/04