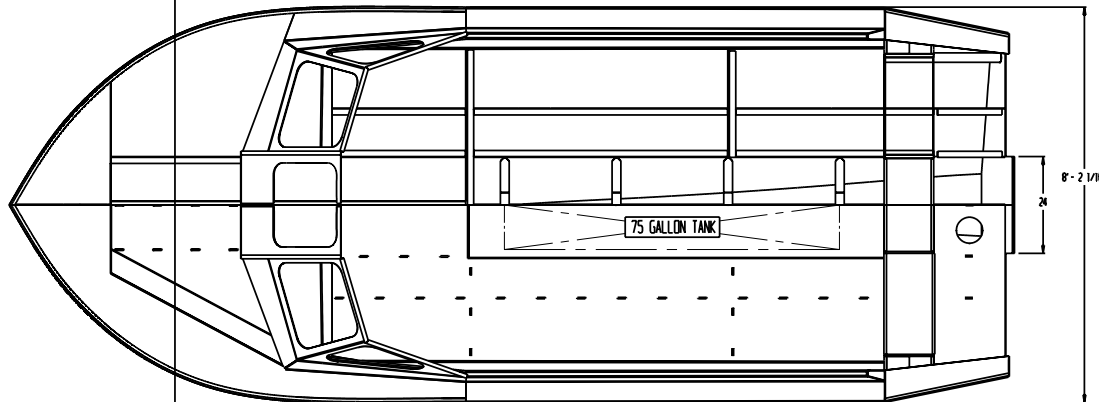


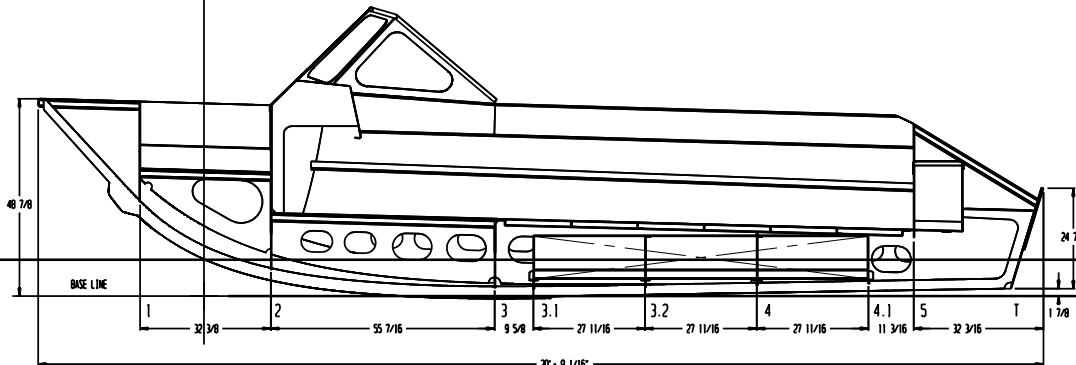
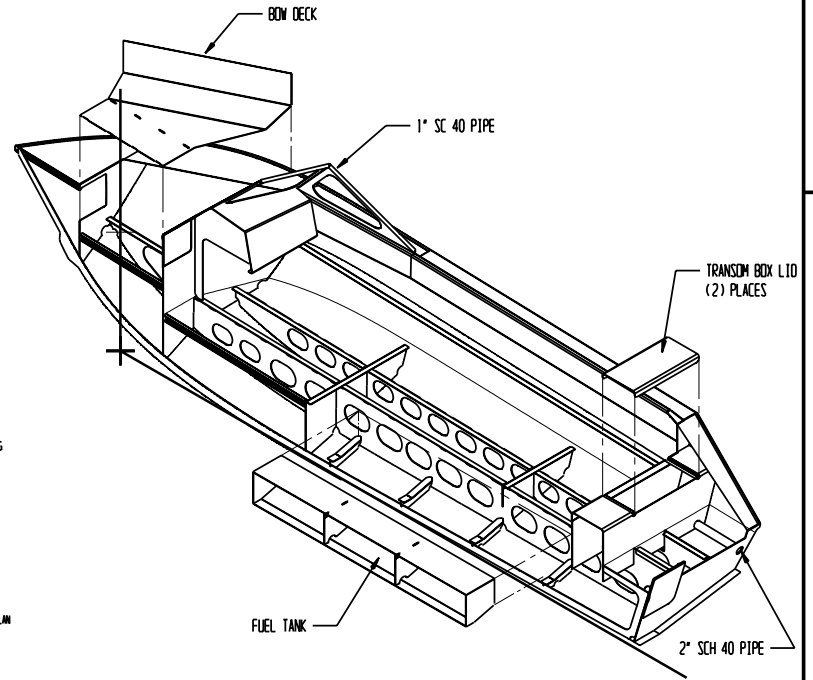
9" WATER LINE @ 3000 LBS

OUTBOARD PROFILE

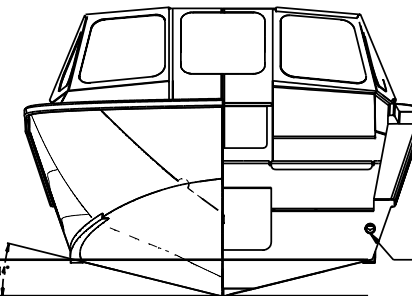


FRAMING

DECK PLAN



INBOARD PROFILE




VIEW FROM FORWARD
LOOKING AFT

VIEW FROM AFT
LOOKING FORWARD

2" PIPE DECK DRAIN

7/22/04

SPECIALTY MARINE			
20 New 1081, Seabrook, RI 02956			
GENERAL ARRANGEMENT 20 X 8 SPORTSTER			
SIZE	FSOM NO.	ENG NO.	REV
SCALE	3/4"=1'-0"	923 VIEWS	1