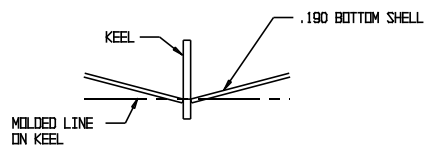
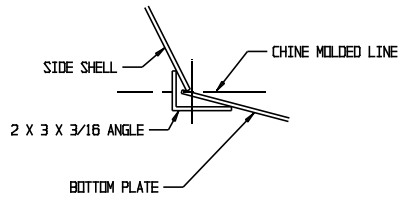
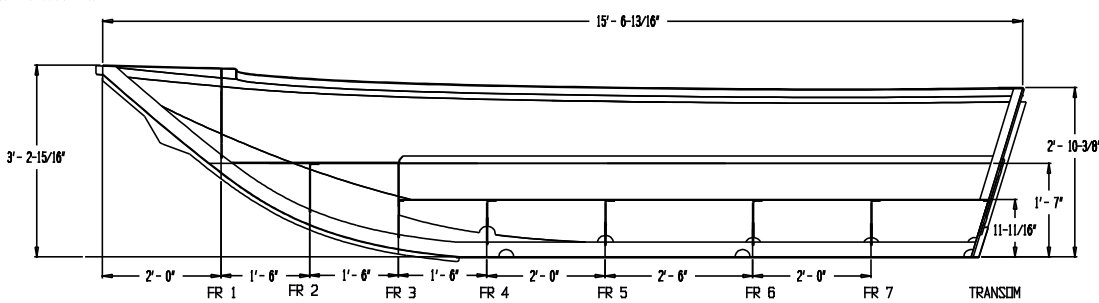
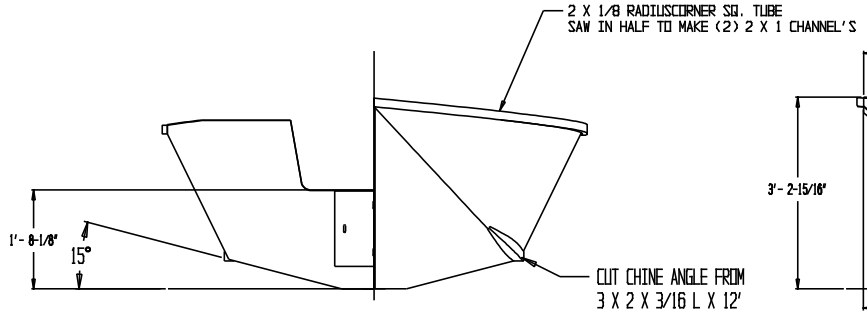
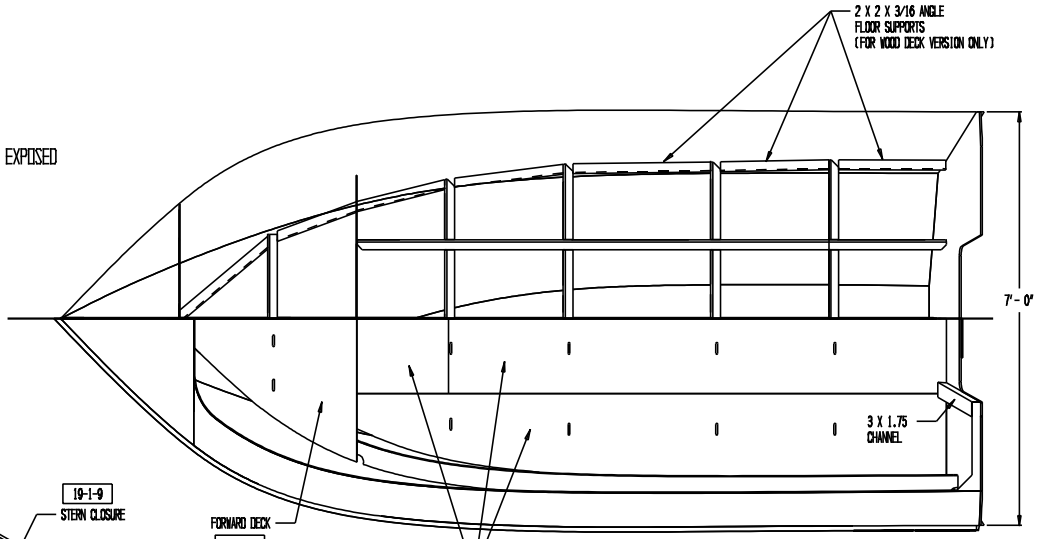
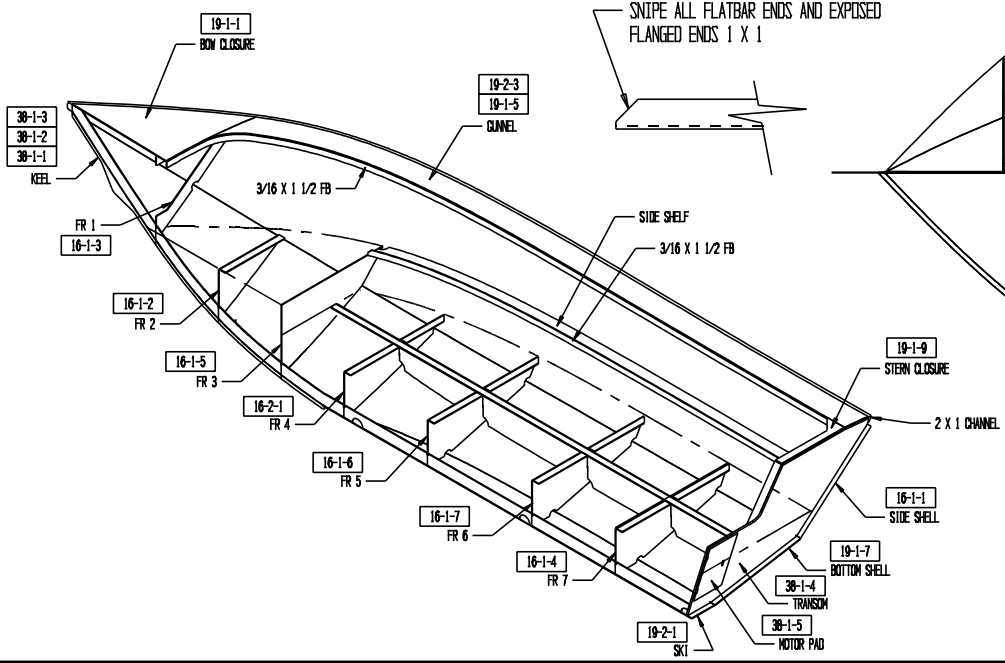


REV	DESCRIPTION	DATE	APPROVED



SNIP ALL FLATBAR ENDS AND EXPOSED FLANGED ENDS 1 X 1



THIS DESIGN IS AVAILABLE WITH A STANDARD METAL DECK, A DIAMOND PLATE DECK, OR NO DECK (WOOD).

12/3/04

THESE PLANS, ACCOMPANYING INSTRUCTIONS, AND/OR SPECIFICATIONS, ONLY THE PURCHASER OR CLIENT IS RESPONSIBLE TO BUILD THE BOAT THEREFROM. ALL DESIGN MATERIALS REMAIN THE PROPERTY OF THE DESIGNER WHETHER MARK FOR WHICH THEY ARE MADE BE CONSTRUCTED OR NOT, AND POSSESSION OF ANY OF THESE MATERIALS DOES NOT CONSTITUTE AUTHORITY FOR CONSTRUCTION OTHERWISE. REPRODUCTION OR UTILIZATION OF ANY MATERIAL HEREIN IN ANY FORM IS A VIOLATION OF COPYRIGHT AND NOT AUTHORIZED WITHOUT PERMISSION FROM THE DESIGNER.

COPYRIGHT

SPECIALTY MARINE
 P.O. Box 1681, Seabrook, OR 97138

15'6" KEWA

SIZE: FISH NO. ENG NO: 960 SALES 1/8"

SCALE: 1"=1'0" SHEET 1 OF 1