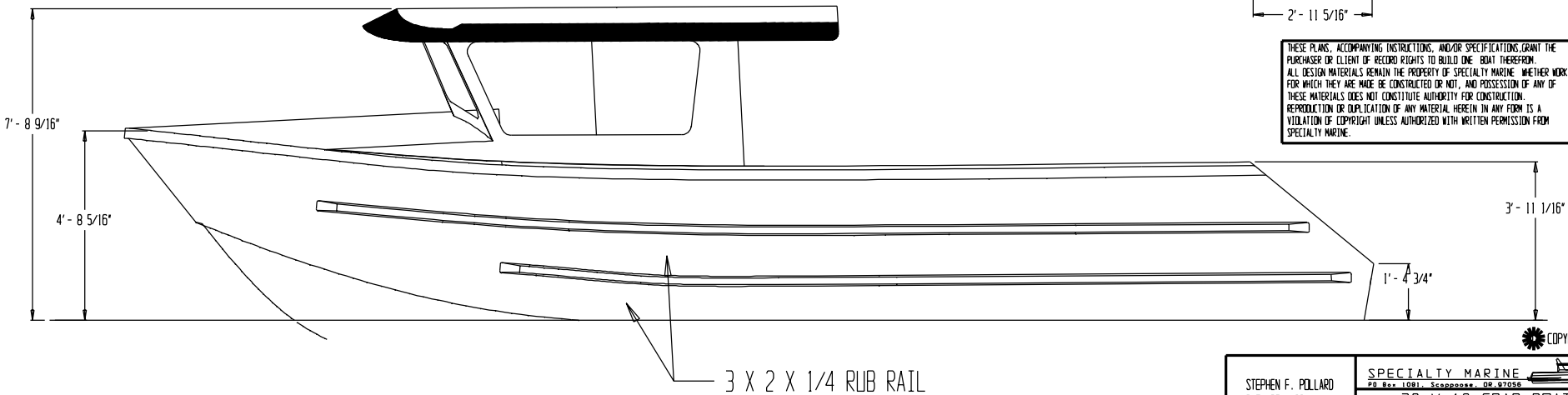



THESE PLANS, ACCOMPANYING INSTRUCTIONS, AND/OR SPECIFICATIONS GRANT THE PURCHASER OR CLIENT OF RECORD RIGHTS TO BUILD ONE BOAT THEREFROM. ALL DESIGN MATERIALS REMAIN THE PROPERTY OF SPECIALTY MARINE. WHETHER WORK FOR WHICH THEY ARE MADE BE CONSTRUCTED OR NOT, AND POSSESSION OF ANY OF THESE MATERIALS DOES NOT CONSTITUTE AUTHORITY FOR CONSTRUCTION. REPRODUCTION OR DUPLICATION OF ANY MATERIAL HEREIN IN ANY FORM IS A VIOLATION OF COPYRIGHT UNLESS AUTHORIZED WITH WRITTEN PERMISSION FROM SPECIALTY MARINE.



3 X 2 X 1/4 RUB RAIL



STEPHEN F. POLLARD P.O. BOX 1081 SCAPPOUSE, OR 97056		 SPECIALTY MARINE P.O. Box 1081, Scappoose, OR 97056	
30 X 10 CRAB BOAT OUTBOARD PROFILE & PLAN		SIZE: F30X10	DWG NO.: B031301.PRT
SCALE: 3/4"=1'-0"		REV: SHEET	