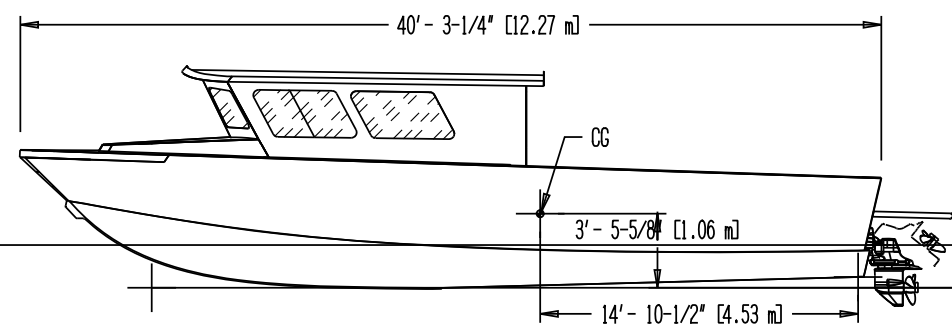
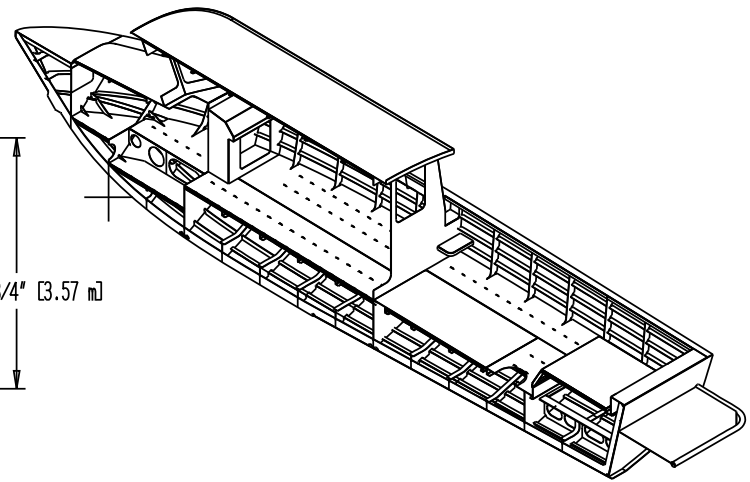


11' - 8-3/4" [3.57 m]

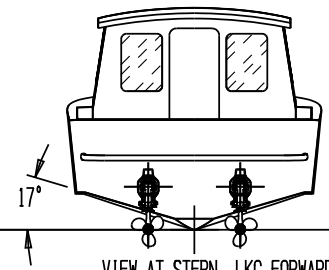


40' - 3-1/4" [12.27 m]

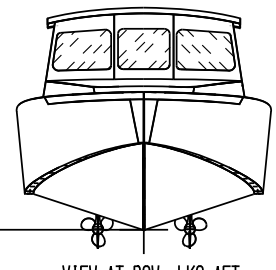
CG

3' - 5-5/8" [1.06 m]

14' - 10-1/2" [4.53 m]



VIEW AT STERN, LKG FORWARD



VIEW AT BOW, LKG AFT

	SPECIALTY MARINE <small>PO Box 1081, Seaside, OR 97138</small>		
	12 METER PATROL BOAT GENERAL ARRANGEMENT		
<small>SIZE</small>	<small>FROM NO.</small>	<small>ENG. NO.</small>	<small>REV.</small>
SCALE 1/2"=1'-0"		1524 VIEWS 1	REV B

4/29/2010



SHEET